



Maximum Demand Controller

- ✦ Advance Microcontroller based
- ✦ Wide working voltage between R phase - N, 150v to 240v
- ✦ Default display KVA/MVA
- ✦ Display of phase Ampere and Voltage of individual phase is on selection.
- ✦ Current sensing through up to 5000A/ 5A ct
- ✦ CT ratio selection 5A, up to 995 and 50A in KA range 1.00KA
- ✦ Auto range selection 99.9 kva to 999 kva to MVA range
- ✦ 125% over load capacity
- ✦ Resolution 0.1 KVA

Display Mode Selection : For selection the display press and hold the button `UP` the short-form of related parameters and their current value scrolls on display window. Releasing the button at desire parameter would be selected to display. The explanation of display short-forms are given below

r_U	r_U : R phase voltage
y_U	Y_U : Y phase voltage
b_U	b_U : B phase voltage
r_A	r_A : R phase ampere
y_A	Y_A : Y phase ampere
b_A	b_A : B phase ampere
KUA	KUA : display KVA/MVA

Note: 1. KVA/MVA is in default selected mode, any other selected parameter to display will be held on display until any power failure/reset occurred

2. If any trip moment occurred, the display window will lead to display current KVA/MVA and blinks frequently at regular interval.

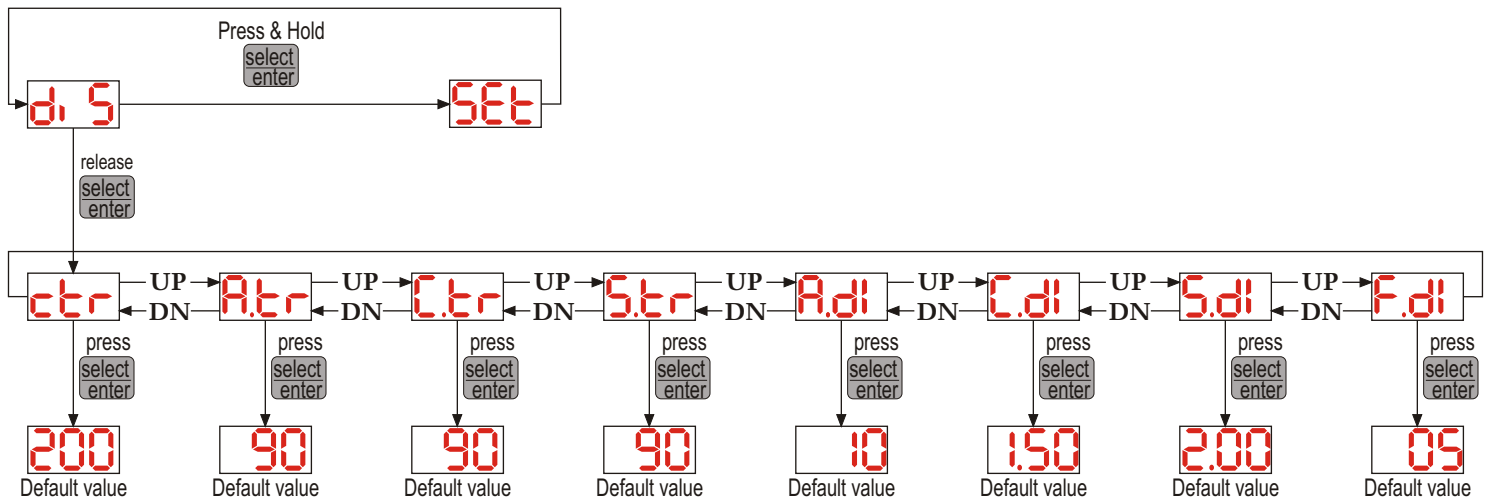
Maximum Demand Controller

Display The Set Variables :

Set Variable Parameters are

- | | | |
|---|------|--|
| 1. CT Ratio ----- | ctr | |
| 2. Alarm Trip KVA/MVA ----- | A.tr | |
| 3. Contactor Trip KVA/MVA ----- | C.tr | |
| 4. Second Contactor Trip KVA/MVA ----- | S.tr | |
| 5. Alarm Delay (range-1 second to 30 second) ----- | A.dl | |
| 6. Contactor Delay (range- 0.5 minut to 15 minuts) ----- | C.dl | |
| 7. Second Contactor Delay (range- 0.5 minut to 15 minuts) -- | S.dl | |
| 8. Off Delay /Reset Delay (range- 1 second to 30 second) ---- | F.dl | |

Press and hold `SELECT/ENTER` key, `diS` and `SEt` will display on screen alternatively, release the button as `diS` comes on screen, the controller will enter to display the set variable parameters, press and hold `UP` or `DN` key to change the variables on screen. To select to display the related variable value, press `SELECT/ENTER` key, as selected variable comes on screen and, related value displays on screen for two seconds.



Maximum Demand Controller

Setting The Variables :

Press and hold `SELECT/ENTER` key, `diS` and `SEt` will display on screen alternatively, release the button as `SEt` comes on screen, the controller will enter to set parameters mode and screen displays `P.00`, that is page 00. Press and hold `UP` or `DN` key to change the page on screen.

To select to set the related variable value, press `SELECT/ENTER` key, as related page comes on screen, the parameter and their last saved value displays on screen and blinks for next action. Page no and related variables are as given below :

- | | | | | | |
|------|-----|-------------------------------|------|-----|------------------------|
| P.00 | --- | Not in use | P.05 | --- | Alarm Delay |
| P.01 | --- | CT Ratio | P.06 | --- | Contactor Delay |
| P.02 | --- | Alarm Trip KVA/MVA | P.07 | --- | Second Contactor Delay |
| P.03 | --- | Contactor Trip KVA/MVA | P.08 | --- | Off/Reset Delay |
| P.04 | --- | Second Contactor Trip KVA/MVA | | | |

